

**Actual Size:** 60"L x 30"W x 21"H • (152.4cm x 76.2cm x 53.34cm)

**Shipping Size:** 63"L x 33"W x 29"H • (160.2cm x 83.9cm x 73.7cm)

**Net Weight:** 160lbs • (72.6kg)

**Shipping Weight:** 220lbs • (99.8kg)

**Floor Dimensions:** 46"L x 20"W • (116.9cm x 50.8cm)

**Unoccupied Water Capacity:** 70gal • (264.979L)

## Included Features (Soaking)

1. Acrylic Tub Shell
  - Gloss white finish
  - Fiberglass gelcoat reinforced
2. Stainless steel frame with adjustable leveling Legs.
3. Unique tempered glass inward swing door with a brushed finish aluminum frame.
4. 2" Brass Drain with overflow

## Jetting & Therapy Options

1. Air Massage
2. Hydro Massage
3. Microbubble Therapy
4. Soaking Option (No Jets)



## Jetting & Therapy Systems

### Air Massage

- Air Massage Pump
- 3 Speed Pump
- Auto-purge (Activates 20 minutes after pump shutdown)
- 20 jets
- On/Off push control

### Hydro Massage

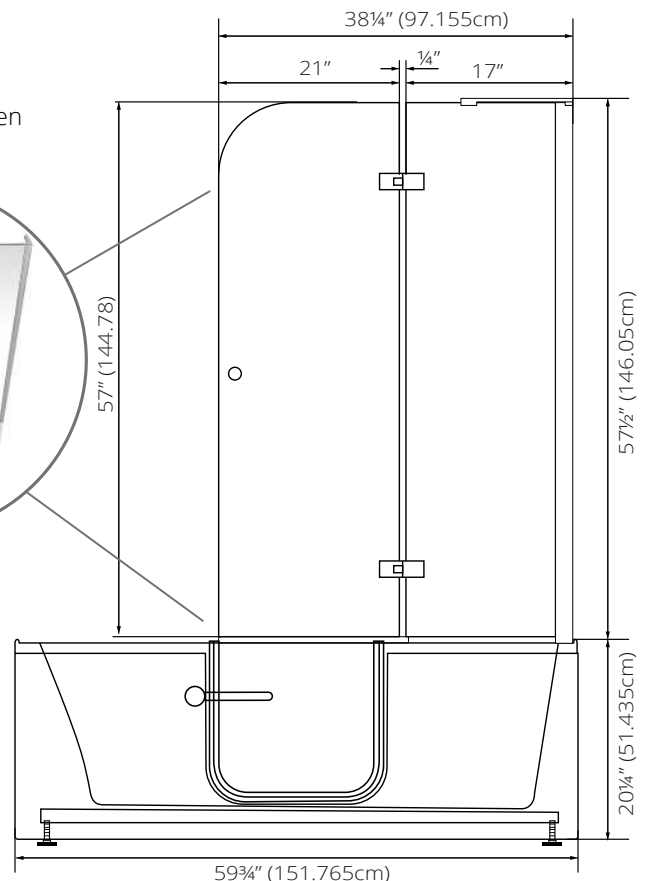
- Hydro Massage Pump
- Hydro Massage Intensity Dial Control
- In-line Water Heater
- Ozone Sterilization
- 11 jets
- On/Off Push Control

### Microbubble Therapy

- Air Pressure Pump
- Pressure Tank
- On/Off push control

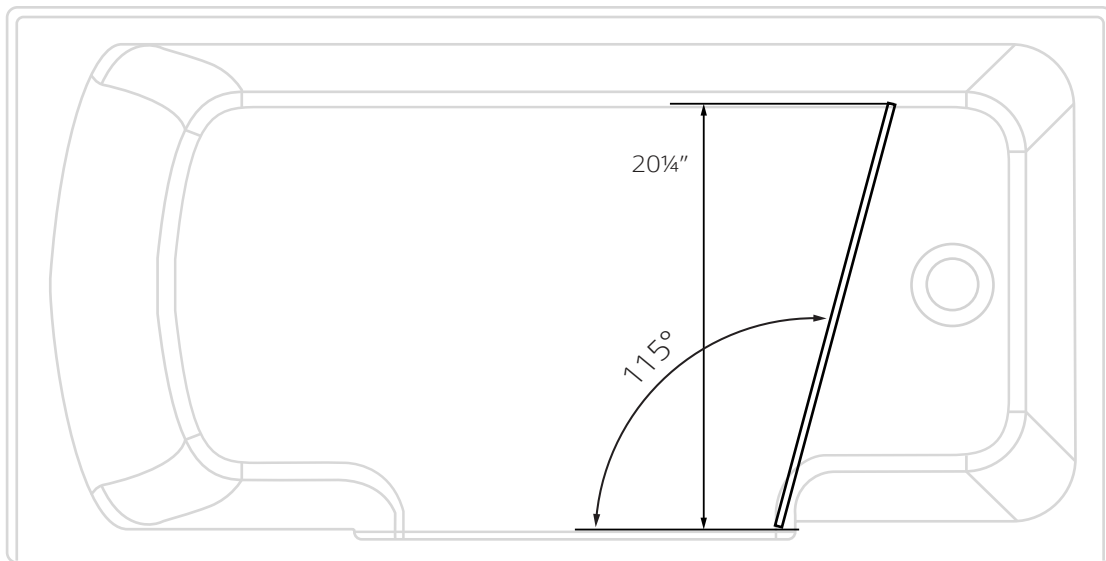
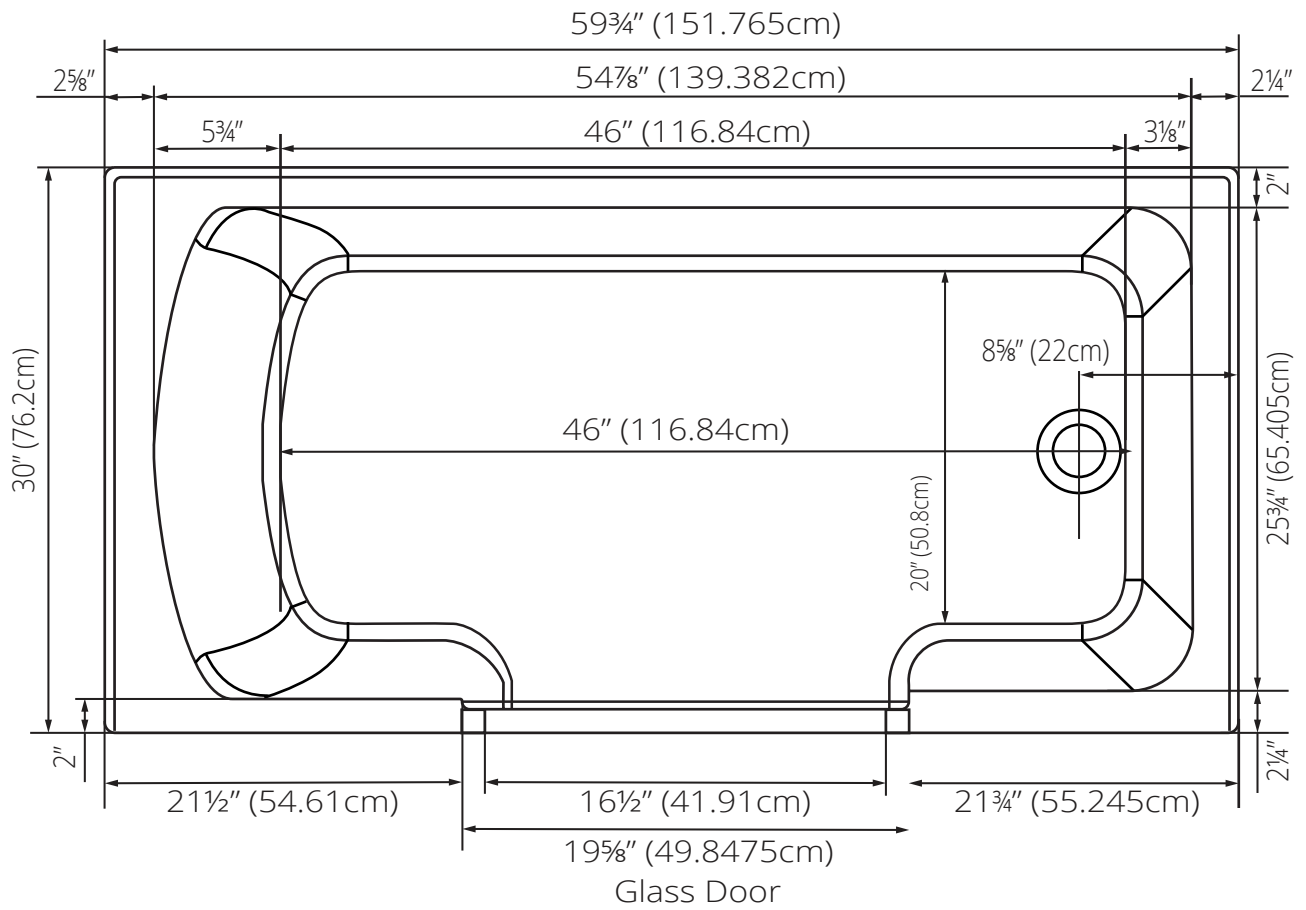
### Optional Feature

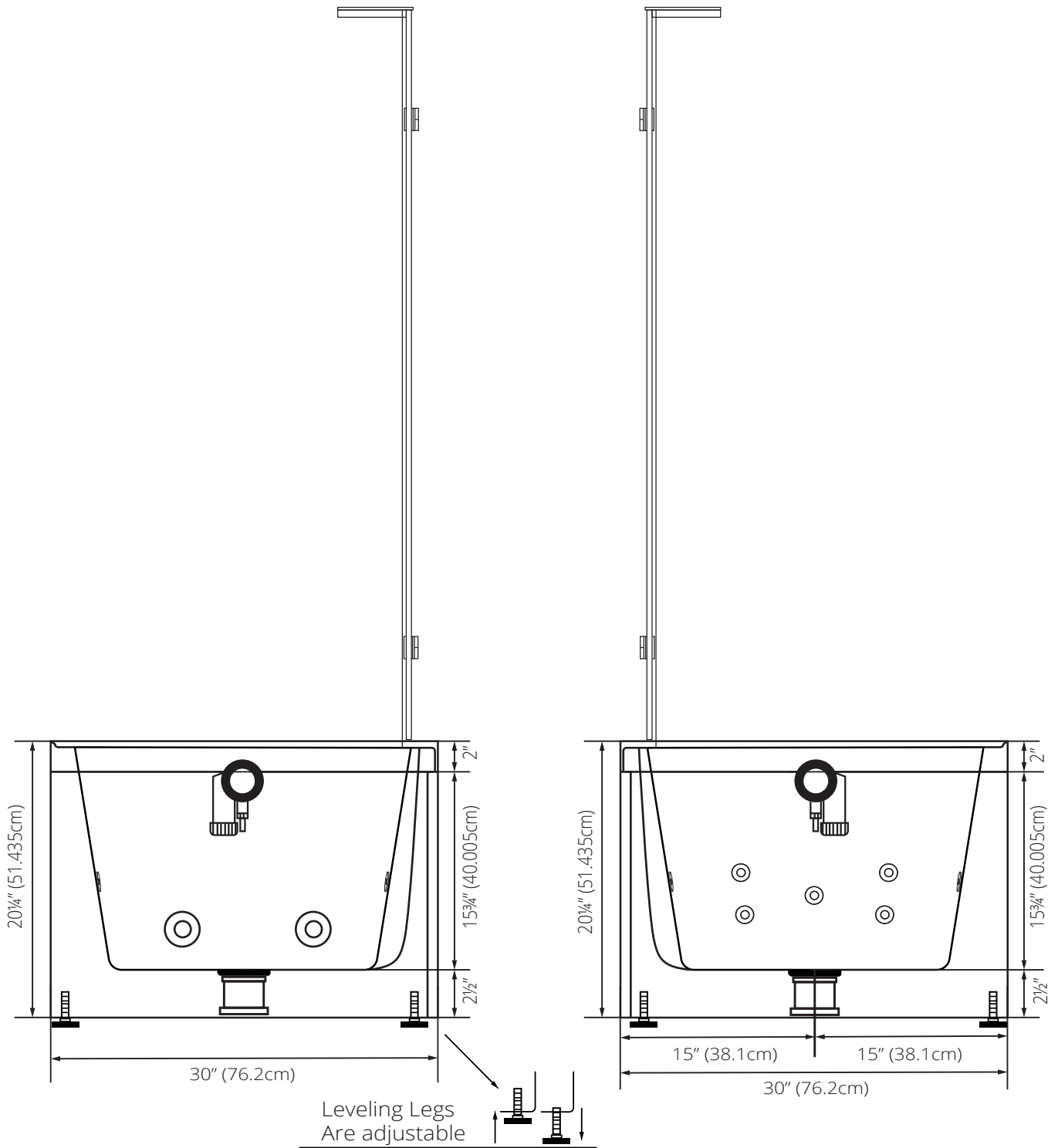
- Glass Shower Screen

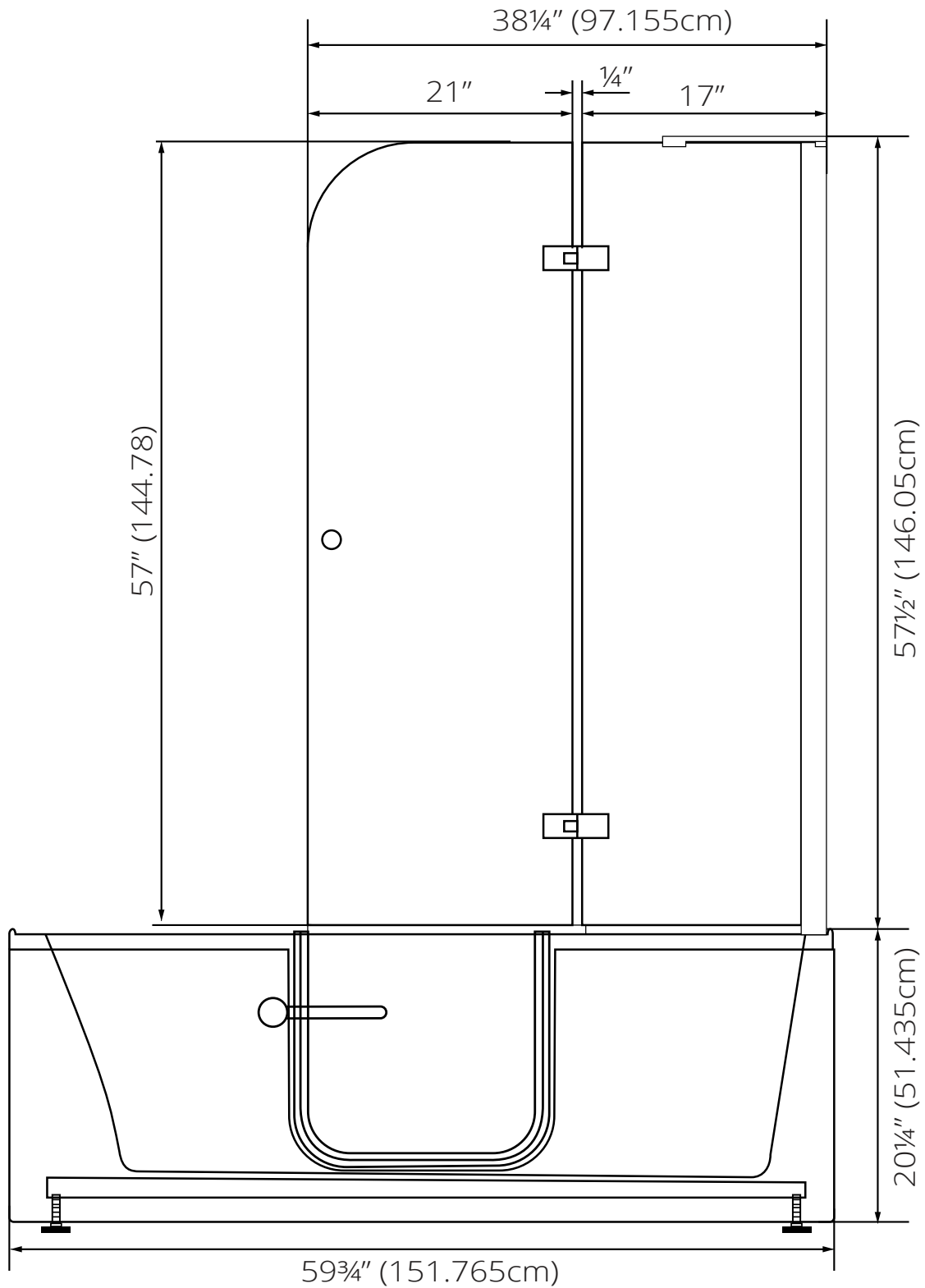


**Warranty:** Lifetime limited warranty on shell, frame, door, and parts to original purchaser/address.

**Note:** Faucet not included. A pre-existing or new wall-mounted faucet must be used.







Glass shower screen needs to align with glass door below to prevent leaks



The gasket needs to point inward towards the tub

