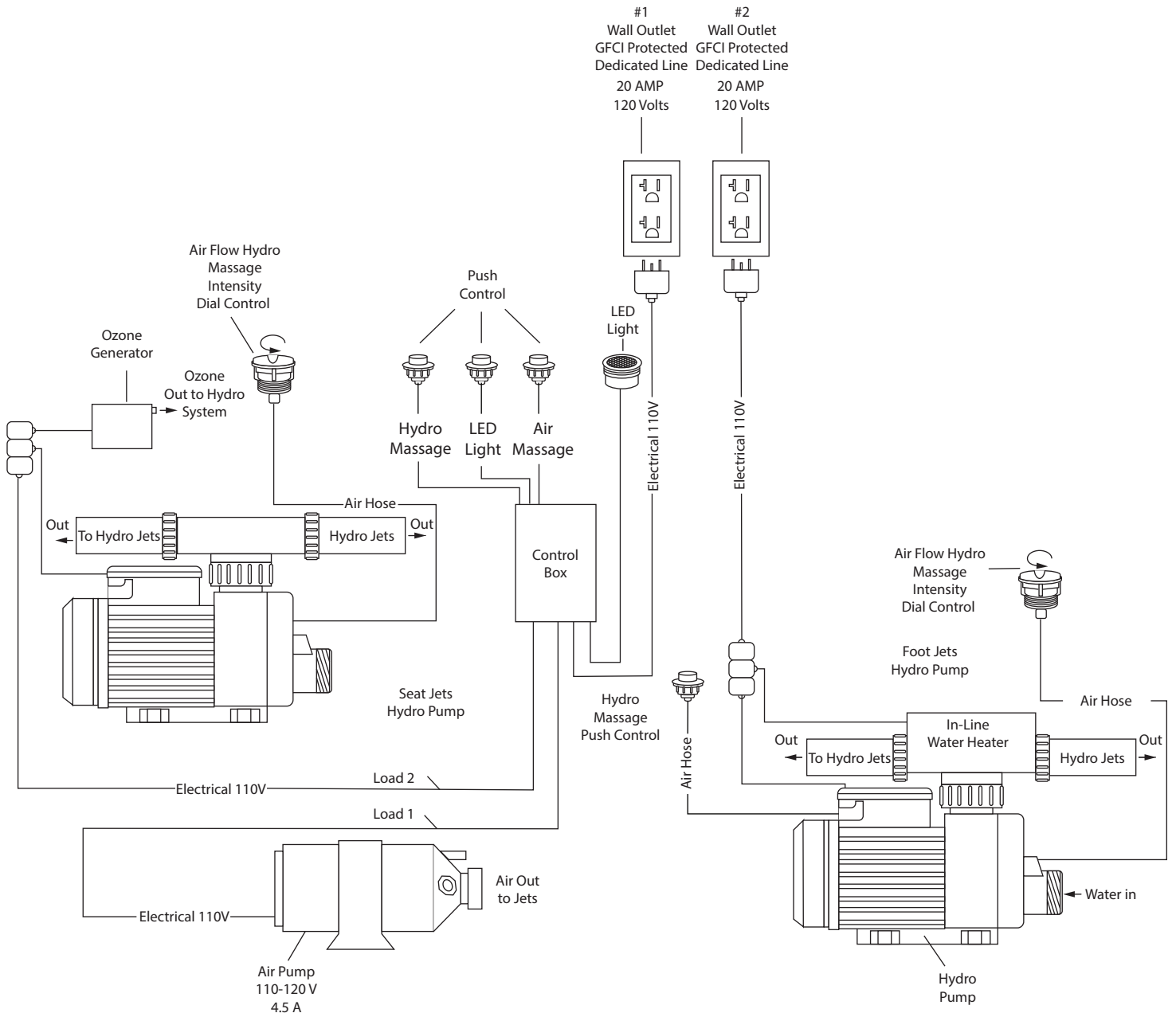


## Walk-in Tub Air + Hydro + Hydro Foot Therapeutic Massage Component Diagram



### 1. Air Massage System

- Refer to Technical drawing for jet Count
- Variable Speed Pump with Auto Purge
- ON/OFF Push Button

### 4. Electronic Component Controller

- Control Box

### 7. Ozone Generator

- Ozone Sanitation System

### 2. Hydro Massage System

- Hydro Pump
- Hydro Massage Air Flow Intensity Control
- ON/OFF Push Button

### 5. Led Light

- Chromatherapy

### 3. Hydro Foot Massage System

- Hydro Pump
- Hydro Massage Air Flow Intensity Control
- ON/OFF Button

### 6. In-Line Water Heater

- Control Box