

Actual Size: 30" x 52" x 35" • (76.2cm x 132.08cm x 96.52cm)

Shipping Size: 32" x 54" x 50" • (81.28cm x 137.16cm x 127cm)

Net Weight: 205lbs • (92.98kg)

Shipping Weight: 230lbs • (104.33kg)

Seat Width: 22" • (53.34cm)

Unoccupied Water Capacity: 75gal • (284L)

Occupied Water Capacity: 35-55gal • (132 - 208L)

Included Features (Soaking)

1. Acrylic shell gloss white finish fiberglass gelcoat reinforced
2. Stainless steel frame with adjustable leveling legs
3. Inward swinging brushed stainless-steel door with a frosted tempered glass.
4. Removable front apron with two access panels
5. One reversible end panel and One 7" extension Panel
6. Stainless steel chrome finish deck and wall-mounted grab bar
7. Removable swivel tray in a white matte finish
8. Two 2" 4-port PVC drains with 2 end caps included, 2 overflows, 2 stainless steel operated openers with extended handles in chrome finish

Jetting & Therapy Options

1. Air + Hydro (LED Chromatherapy Light Included)
2. Hydro + Hydro Independent Foot Massage (LED Chromatherapy Light Included)* (2)
3. Hydro Massage + Microbubble (LED Chromatherapy Light Included)
4. Hydro Massage (LED Chromatherapy Light Not Included)
5. Soaking



Jetting & Therapy Systems

Hydro Massage

- Hydro Massage Pump 5 to 7A
- Intensity Dial Air Control
- Ozone Sterilization 0.04A
- 16 jets (10 Seat Jets 6 Foot Jets)
- On/Off Push Control
- In-line Water Heater 5.5A 650W

Hydro + Hydro Foot Massage* (2)

- 2 Hydro Massage Pumps 5 to 7A
- 2 Intensity Dial Air Controls
- Ozone Sterilization 0.04A
- 16 jets (10 Seat Jets 6 Foot Jets)
- On/Off Push Control
- In-Line Water Heater 5.5A 650W

5 Piece Faucet

- Up to 18GPM @ 60PSI (at ideal in-home plumbing conditions)
- Two 5' Water Supply Lines 3/4"
- Pull out Hand Shower in Chrome Finish with a 5' Retractable Stainless Steel Braided Hose

Air Massage

- Air Massage Pump 6.4A
- 3 Speed Pump
- Auto-purge (Activates 20 minutes after pump is turned off)
- 16 jets (8 Seat Jets 8 Foot Jets)
- On/Off push control

Microbubble Therapy

- 1 HP Pump 7.3A
- Pressure Vessel
- On/Off push control
- Agitator Valve

Optional Features

1. Heated Seat and Backrest
2. Digital Controller

Electrical Requirements

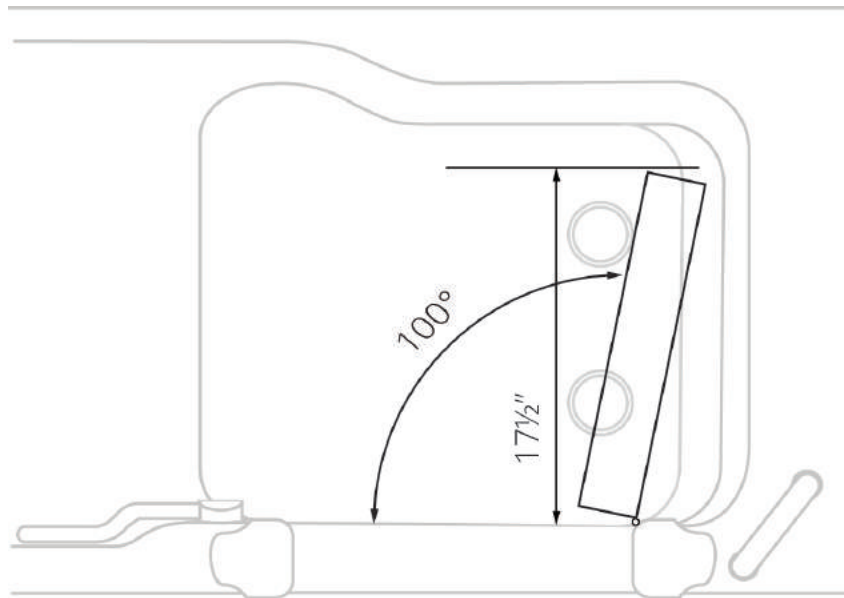
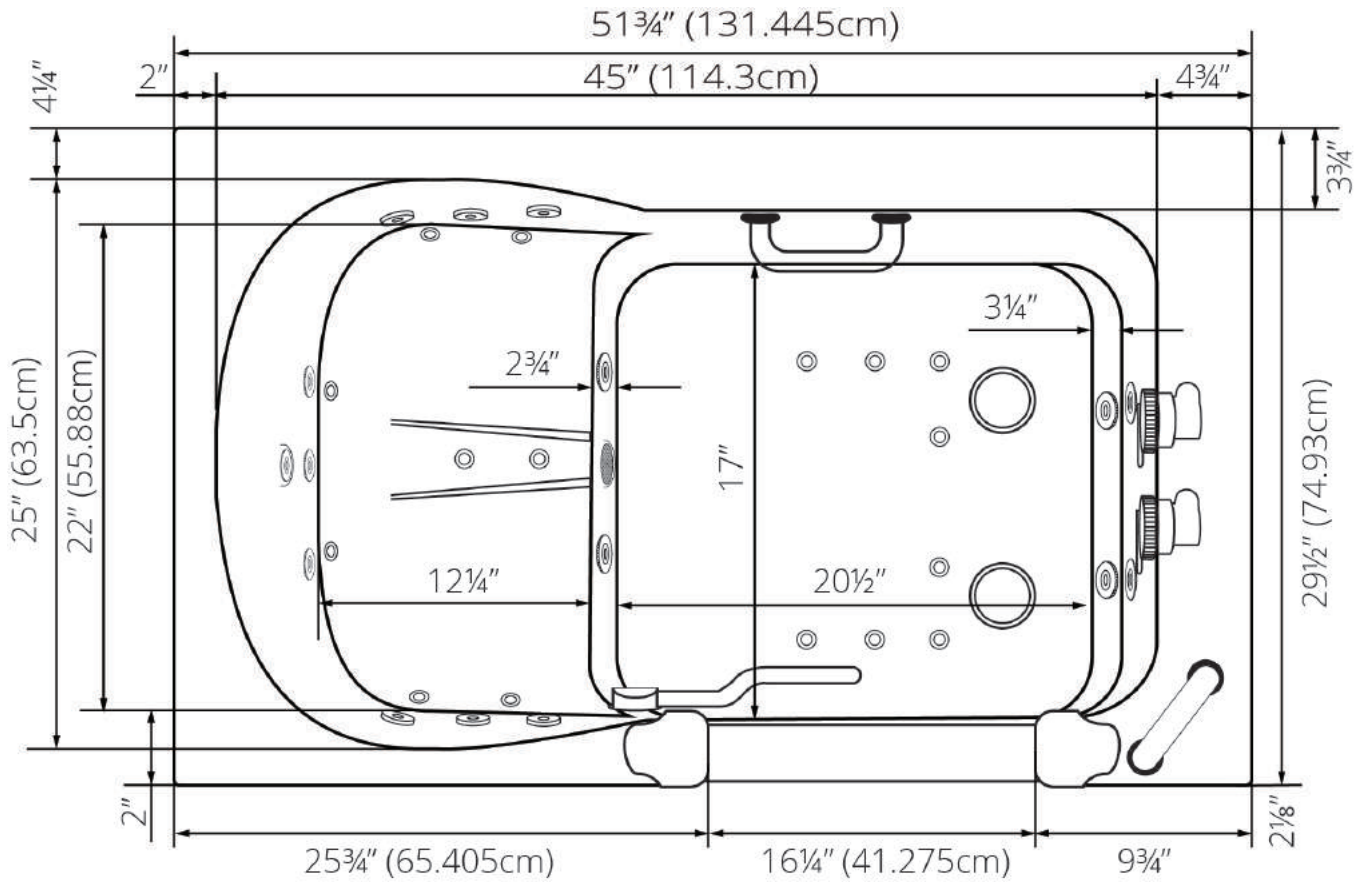
Dedicated GFCI protected electrical line(s) required 110/120V

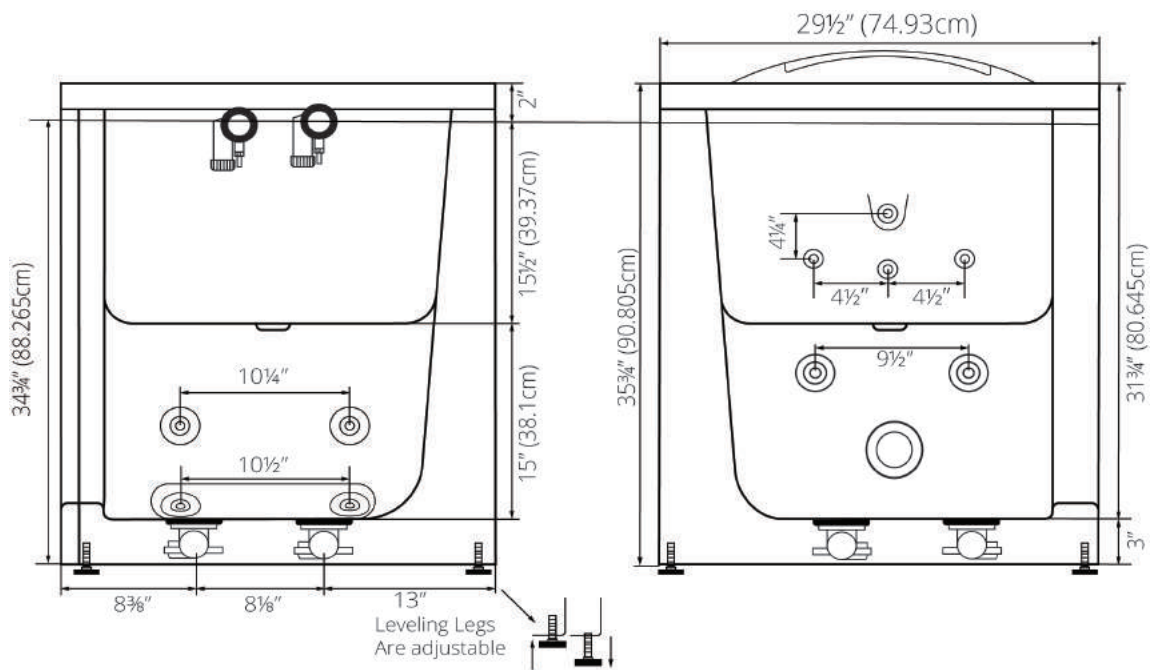
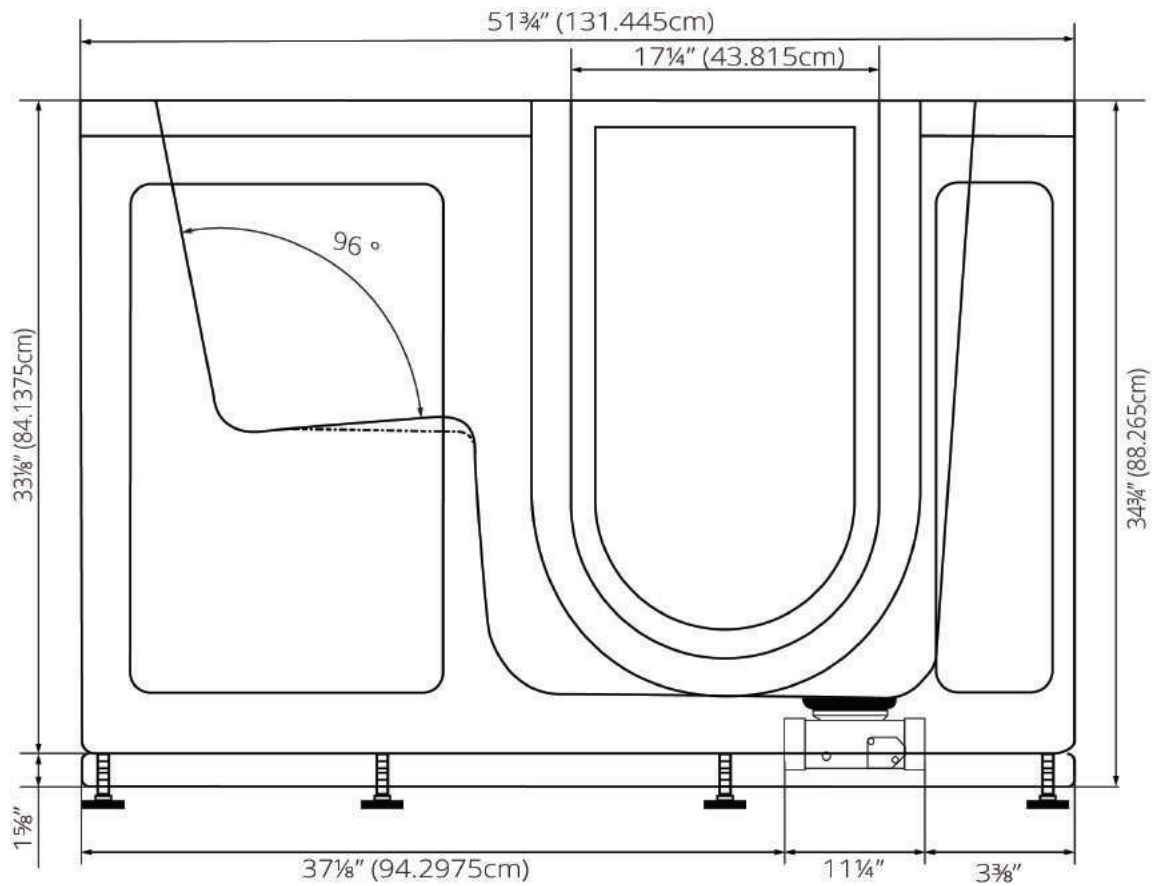
Warranty

- Lifetime limited* warranty on shell, frame, door, and parts to original purchaser/Address
- Labor or installation is not covered - please refer to the Ella warranty certificate
- Non Ella brand faucets covered under manufacturers original warranty

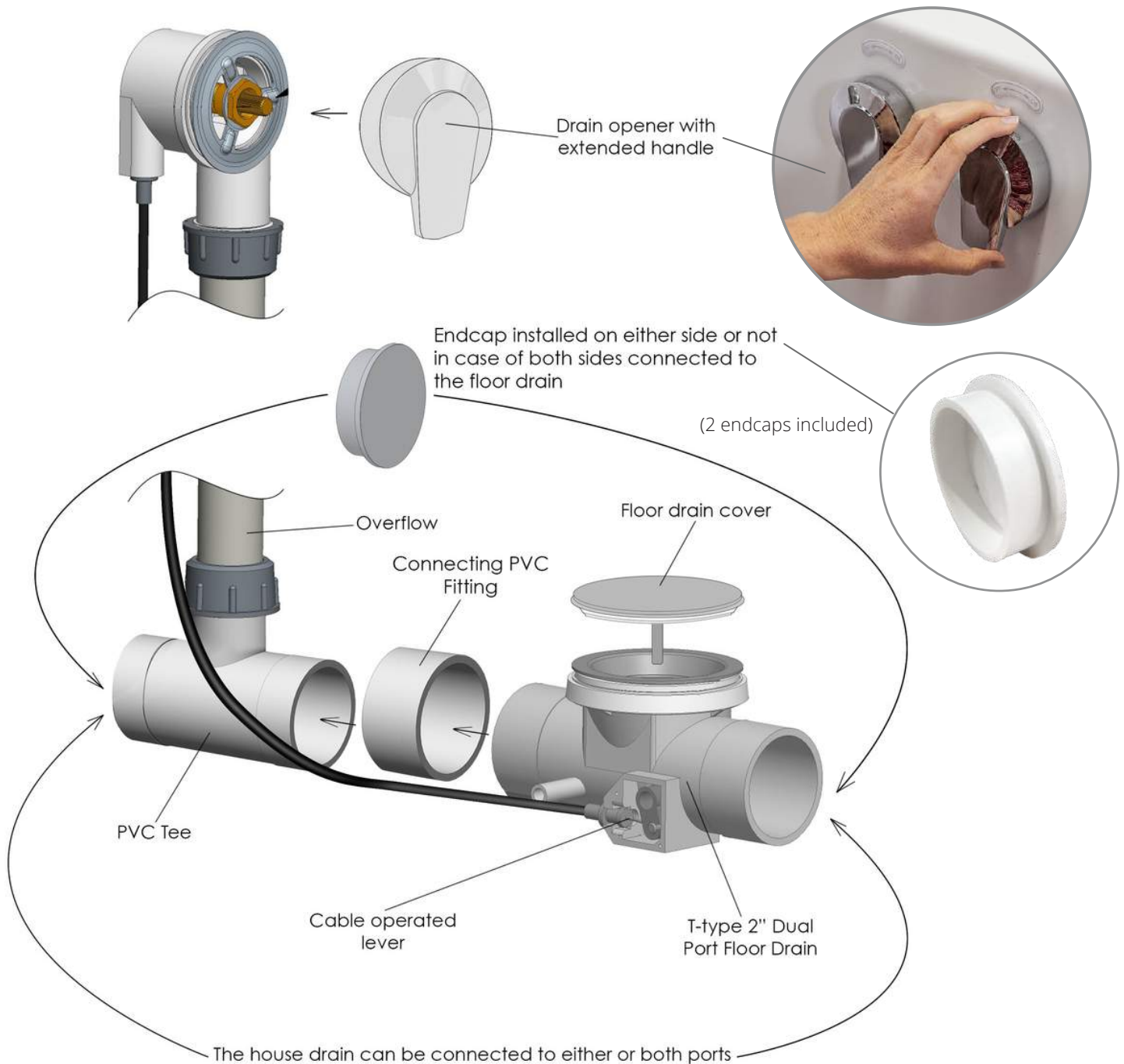
Note: LED Chromatherapy light 0.5A with On/Off push control is included with the following dual packages: Hydro + Air, Hydro + Micro, Hydro + Hydro

Disclaimer*: AMP value for each pump may change based on availability. Please verify before purchase. (800.480.6850)





Dual Drain Technology - Two 2 Inch Independent Floor Drains



Two 3/4" connector water supply lines included with Ella Fast Fill Faucets
Connect to Shut Off Valves (not included)



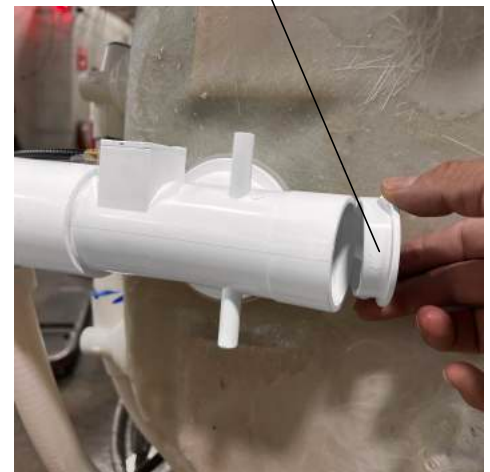
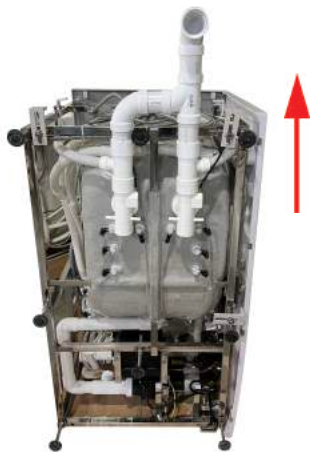
All electrical fixtures connect to a dedicated GFCI protected outlet or GFCI protected Circuit Breaker.



Images below show examples of PVC pipe connections (not included). Reducers can be used to connect smaller drain pipes.

T-Type four (4) 2" drain ports allow for the drain pipe to be installed in either direction.

Drain Caps Installed On Either Side Of The Drain unused Port.



Description

Solid brass spout in a chrome finish with a 5-setting pull out hand shower mixer with back-flow prevention valve this includes a 5' braided hose.

Two 3/4" 5' braided stainless-steel supply lines are included along with Cold/Hot levers with a diverter for the hand mixer.

Flow

- Hand shower is limited to 1.9 GPM (7.5L/min)
- Faucet fill rate designed for 18 GPM (68.1L/min)

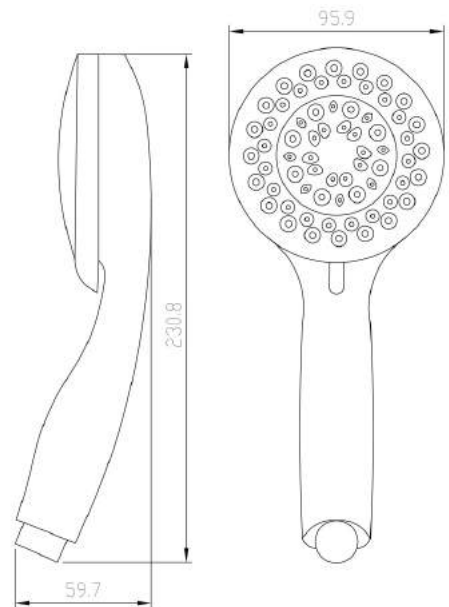
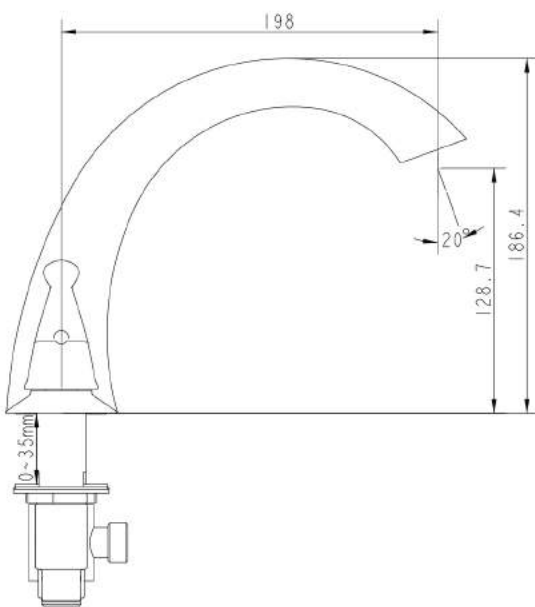
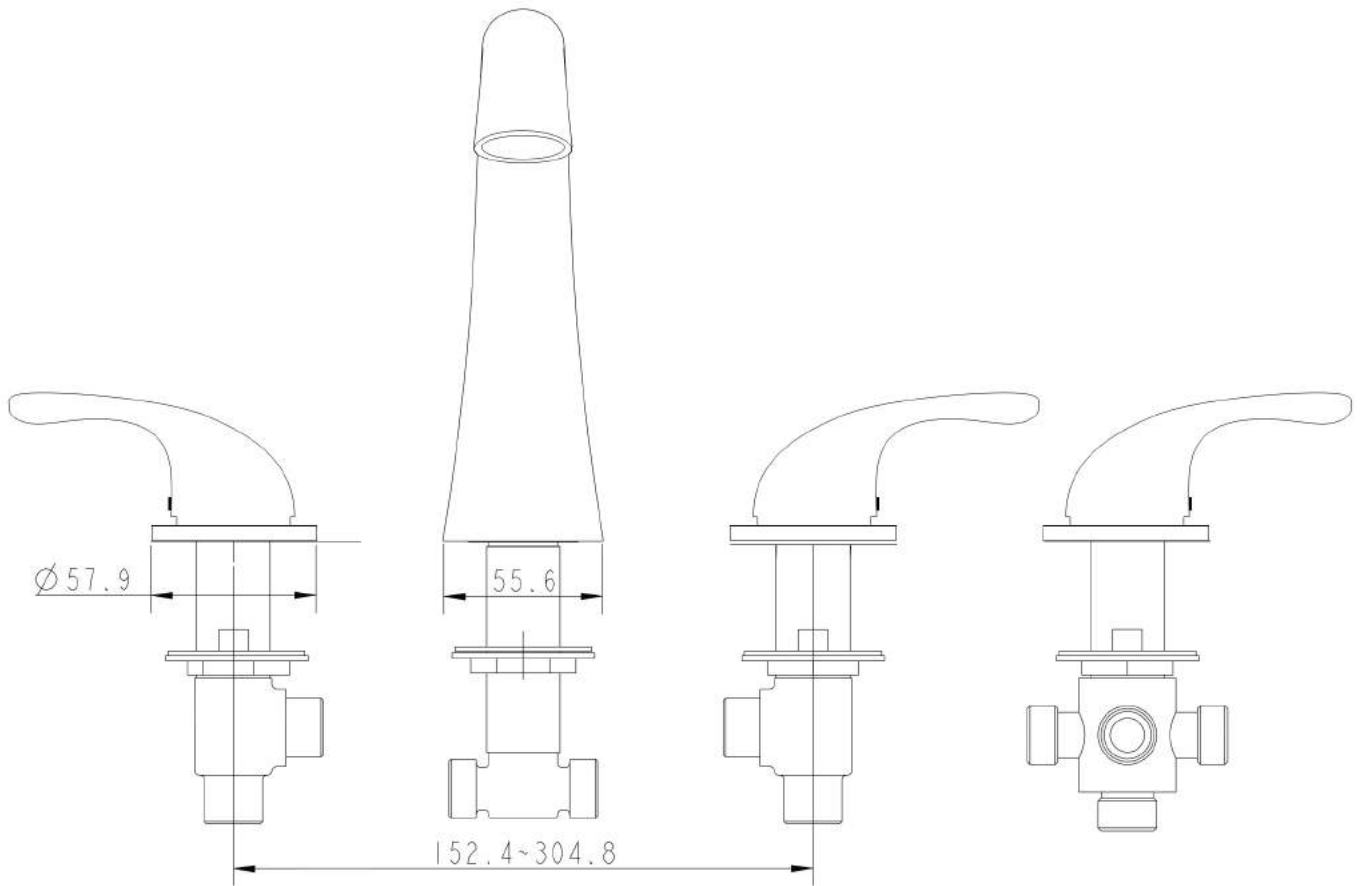
Cartridge

- 40mm high flow cartridge design
- Nonmetallic/nonferrous and stainless-steel material

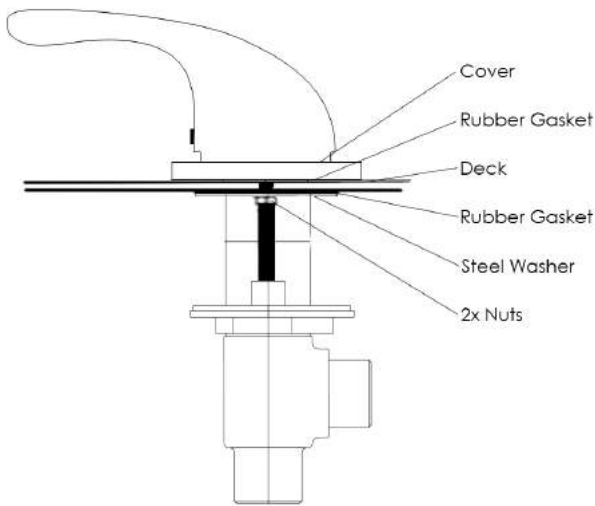


Ella 5 Piece Fast-Fill Faucet Contents

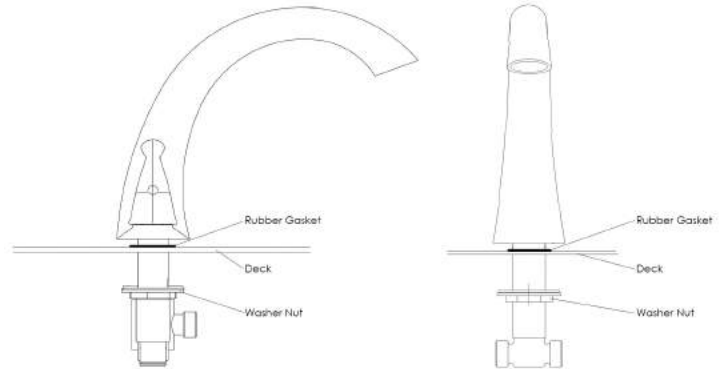




Step-by-step Instructions to install an Ella 5-piece faucet.



1. Unscrew the 2 nuts securing the steel washer and rubber gasket. In this order, remove the steel washer and rubber gasket, place your lever on the deck, replace the rubber gasket and the steel washer. Firmly secure the 2 nuts to hold the fixture in place.



2. Unscrew the washer nut and place the rubber gasket and spout above the deck. After, secure the washer nut from underneath the deck.

3. Remove the plastic nut and insert your hand mixer and hose into your deck opening. Re-secure the plastic nut underneath the deck to hold the hand mixer and housing firmly in place.

4. Connect the supply lines provided with your Ella 2-Piece Fast Fill Faucet to their respective hot and cold connections.

