

Actual Size: 32" x 52" x 40" • (81.28 cm x 132.08 cm x 101.60 cm)

Seat Width: 23" • (58.4cm)

Shipping Size: 34" x 55" x 50" • (86.4 cm x 139.7 cm x 127 cm)

Net Weight: 220 lbs. • (99.8 kg)

Shipping Weight: 300 lbs. • (136.1 kg)

Unoccupied Water Capacity: 95 gal. • (359.6L)

Occupied Water Capacity: 55-85 gal. • (208-322 L)

Drainage Time: +/- 80 seconds at ideal plumbing conditions (unoccupied)

Included Features:

1. Acrylic Tub Shell
 - Gloss white finish
 - Fiberglass gelcoat reinforced
2. Stainless steel frame with adjustable leveling Legs.
3. Custom crafted industrial plastic composite door with tempered glass.
4. Removable front apron with two access panels.
5. One removable and reversible end panel.
6. 8" Extension panel (reversible) for 60" alcove openings
7. Stainless steel chrome finish U-shape deck-mounted and wall mounted grab bars.
8. Two (2) 2-inch PVC drains with 2 end caps included. Each drain has two (2) 2-inch outlets, one overflow and a stainless-steel operated opener with extended handle in chrome finish.

Jetting & Therapy Options:

1. Air + Hydro (Multicolor LED Light Included)
2. Hydro + Hydro Independent Foot Massage (Multicolor LED Light Included)
3. Hydro Massage (Multicolor LED Light Not Included)
4. Hydro Massage + Microbubble (Multicolor LED Light Included)
5. Soaking Option Only (Multicolor LED Light Not Included)



Jetting Options

Hydro Massage

- Hydro Massage Pump
- Hydro Massage Intensity Dial Control
- Ozone Sterilization
- 15 jets
- On/Off Push Control
- In-line Water Heater

Hydro + Hydro Foot Massage

- 2 Hydro Massage Pumps
- 2 Hydro Massage Intensity Dial Controls
- Ozone Sterilization
- 15 jets
- On/Off push control
- In-Line Water Heater

Air Massage

- Air Massage Pump
- 3 Speed Pump
- Auto-purge (Activates 20 minutes after pump shutdown)
- 16 jets
- On/Off push control

Microbubble Therapy

- Air Pressure Pump
- Pressure Tank
- On/Off push control

Faucet Options

1. Five-Piece Fast Fill Faucet

- Up 10 18 GPM @ 60 PSI an ideal in-home plumbing conditions
- Two 5' water supply lines with 3/4" connectors
- Pull out, hand held, chrome plated hand shower with a 5' ft. retractable stainless steel braided hose

2. Two-Piece Fast Fill Faucet

- Up 10 16 GPM @ 60 PSI an ideal in-home plumbing conditions
- Two 5' water supply lines with 3/4" connectors
- Pull out, hand held, chrome plated hand shower with a 5' ft. retractable stainless steel braided hose

Optional Features

- 1.Heated Seat and Backrest
- 2.Digital Controller

Note: Multicolor LED light .04AMP with On/Off push control is included with the following dual packages: Hydro + Air, Hydro + Micro, Hydro + Hydro

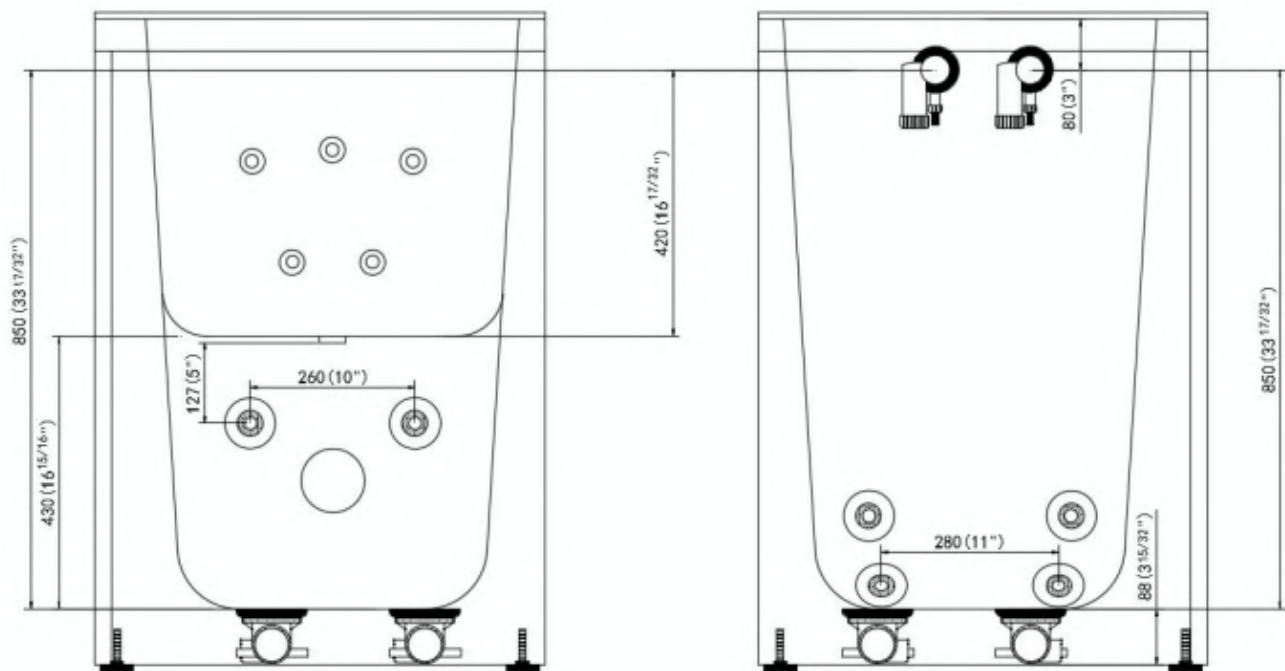
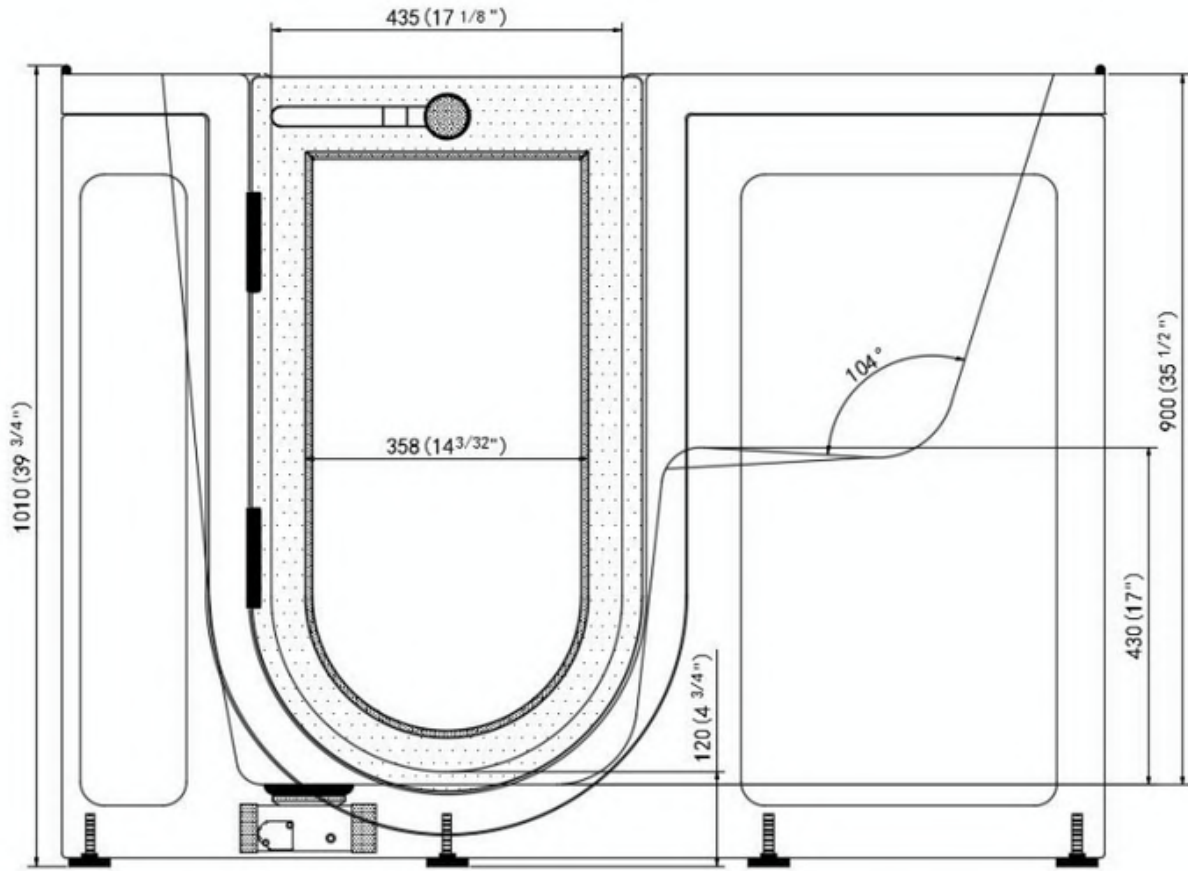
Disclaimer*: AMP value for each pump may change based on availability. Please verify before purchase. (800.480.6850)

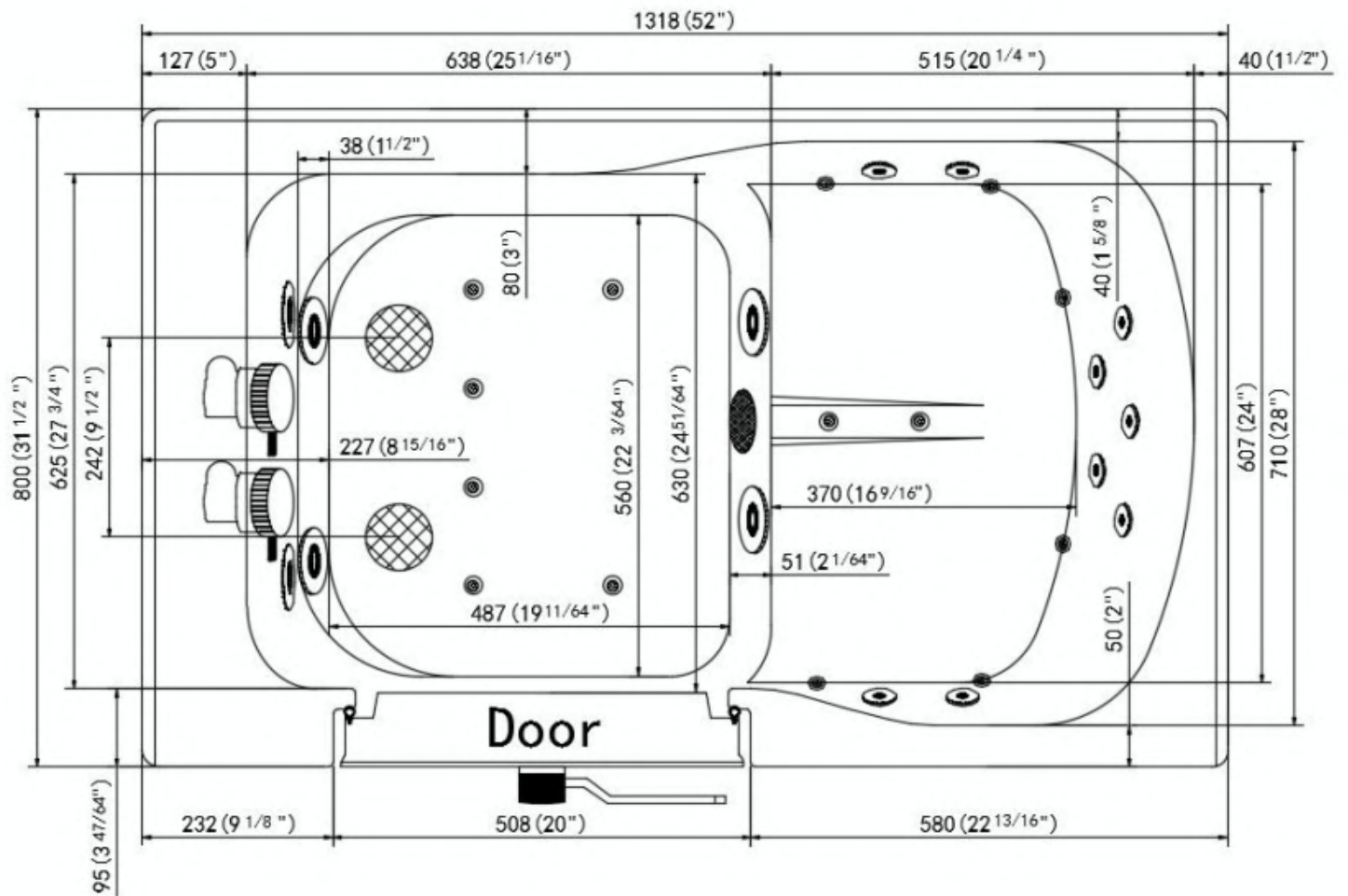
Electrical Requirements

Dedicated GFCI protected electrical line(s)required

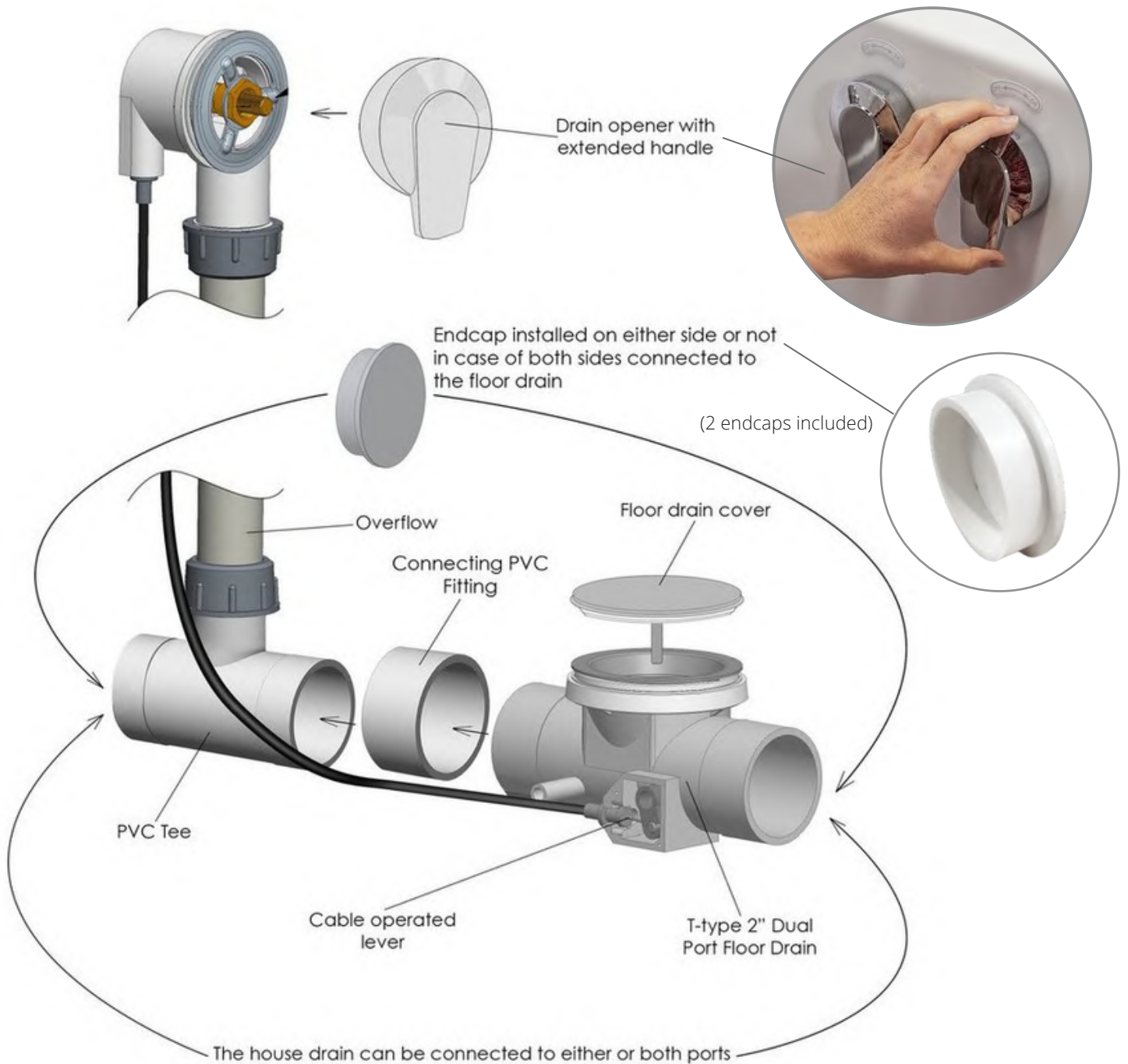
Warranty

- Lifetime limited* warranty on shell, frame, door, and parts to original purchaser/Address
- Labor or installation is not covered - please refer to the Ella warranty certificate
- Non Ella brand faucets covered under manufacturers original warranty





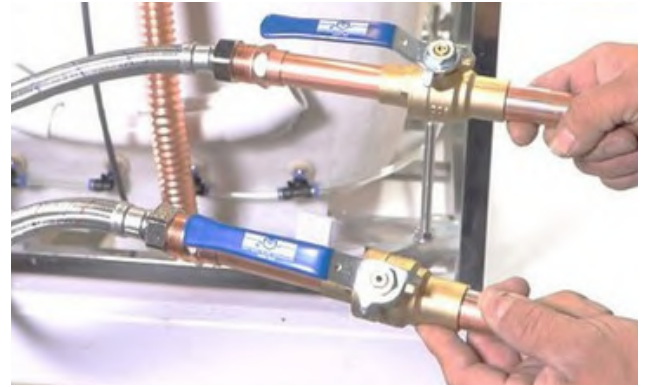
Dual Drain Technology - Two 2 Inch Independent Floor Drains



Two 3/4" connector water supply lines included with Ella Fast Fill Faucets



Connect to Shut Off Valves (not included)



All electrical fixtures connect to a dedicated GFCI protected outlet.



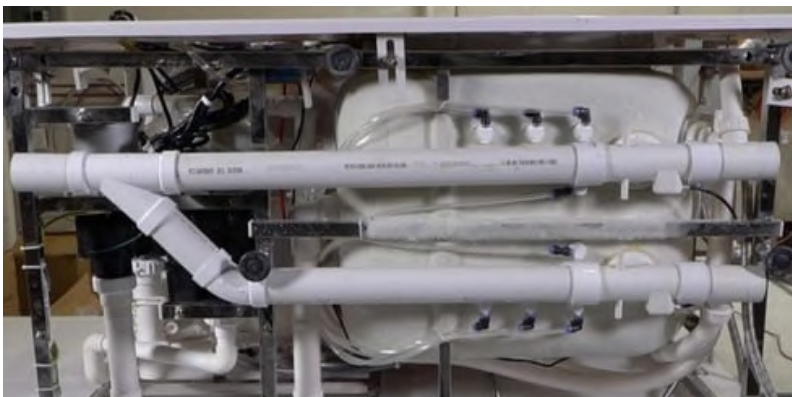
Drain Cap

Use a drain cap to close unused drain port.



T-Type four (4) 2" drain ports allow for the drain pipe to be installed in either direction.

Images below show examples of PVC pipe connections (not included). Reducers can be used to connect smaller drain pipes.



Description

Solid brass spout in a chrome finish with a 5-setting pull out hand shower mixer including a 5' braided hose. Two 3/4" 5' braided stainless-steel supply lines are included along with Cold/Hot levers with a diverter for the hand mixer.

Flow

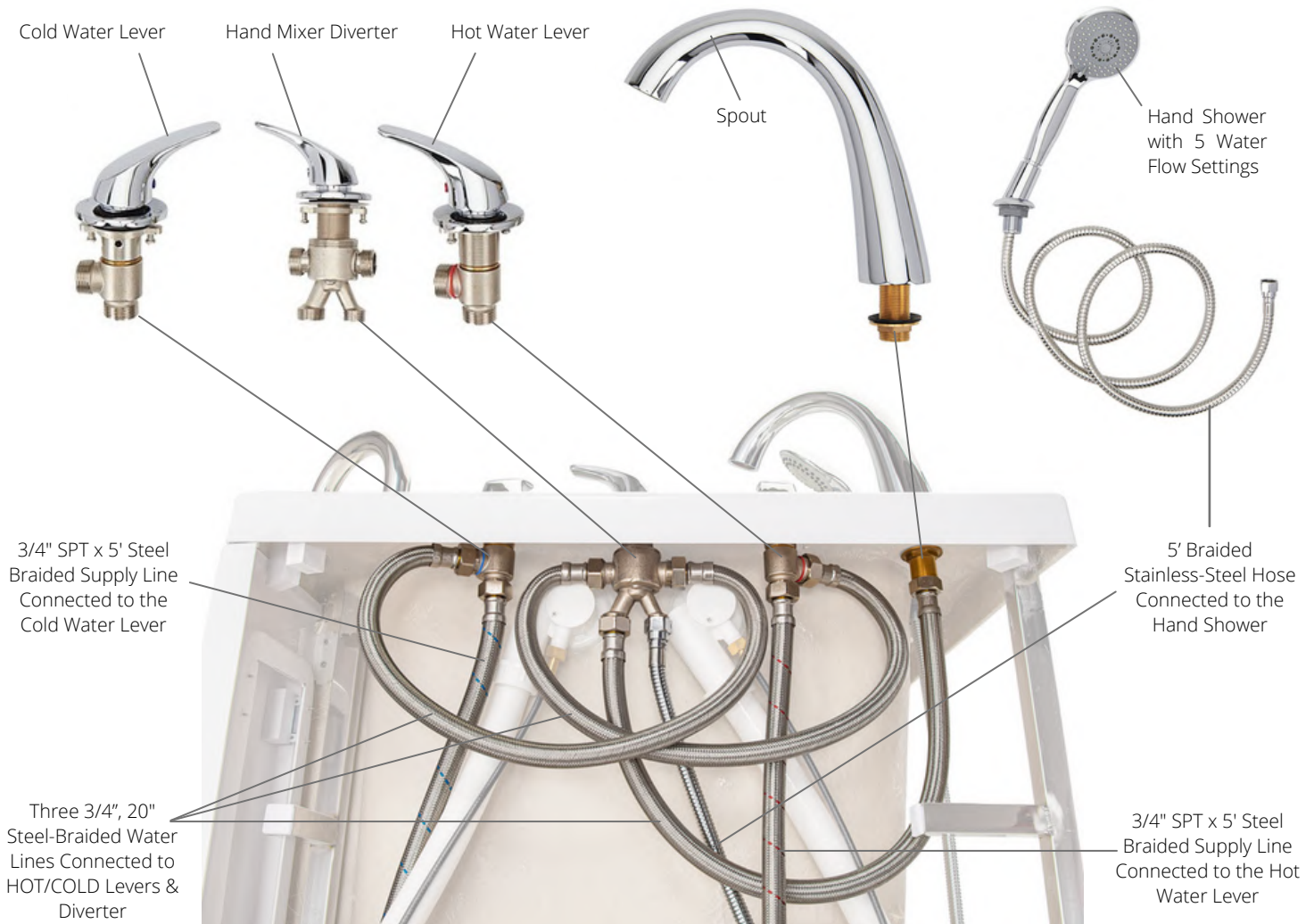
- Hand shower is limited to 1.9 GPM (7.5L/min)
- Faucet fill rate designed for 18 GPM (68.1L/min)

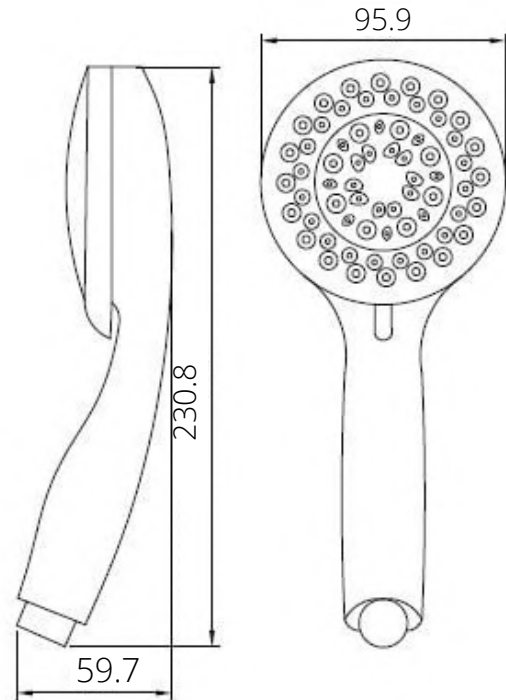
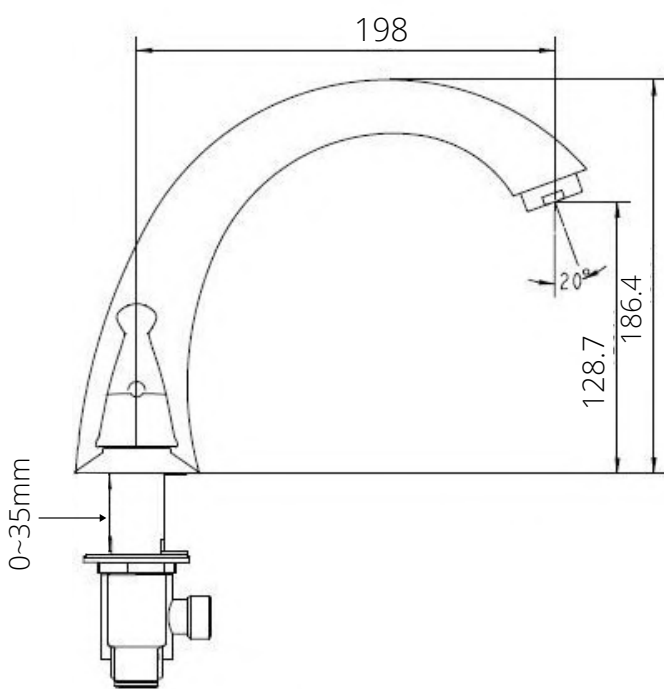
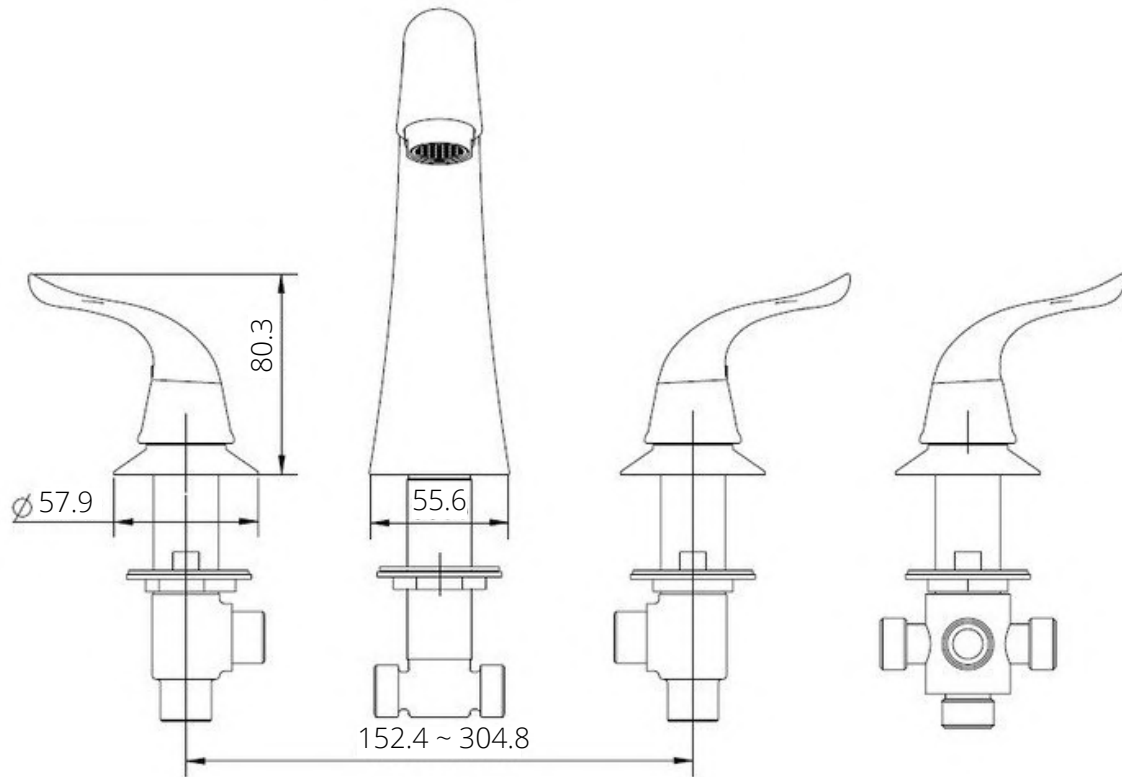
Cartridge

- 40mm high flow cartridge design
- Nonmetallic/nonferrous and stainless-steel material



Ella 5 Piece Fast-Fill Faucet Contents







Ella 2 Piece Single Lever Fast-Fill Faucet

Description

Solid brass spout chrome finish single lever high flow bathtub faucet with diverter button Two (2) 3/4" 5' braided stainless-steel supply lines Pull out hand shower mixer with 5 settings and 5' braided hose in a Chrome or Brushed Nickel finish.

Flow

- Hand shower is limited to 1.9 GPM (7.5L/min)
- Faucet fill rate designed for 16 GPM (68.1L/min)

Cartridge

- 40mm high flow cartridge design
- Nonmetallic/nonferrous and stainless-steel material

Standards

- Third party certified to meet: CSA B125.1, ASMEA112.18.1, ICC117.1 and all applicable requirements referenced therein
- Certified to ANSI/NSF 61/9
- ADA for lever/handle
- IAPMO R&T UPC certified

NOTE: This faucet is designed to be installed through: 2-1/2" diameter hole for faucet, 1/3" diameter hole for mounting rods, and a 7/8" diagonal hole for the hand shower.

