

- Actual Size:** 36" x 80" x 40" • (91 cm x 203 cm x 101 cm)
- Shipping Size:** 38" x 82" x 50" • (97 cm x 208 cm x 127 cm)
- Shipping Weight:** 531 lbs. • (241 kg)
- Net Weight:** 328 lbs. • (149 kg)
- Seat Width:** 22" & 24" • (56 cm & 61 cm)
- Unoccupied Water Capacity:** 145 gal. • (549 L)
- Occupied Water Capacity:** 85-135 gal. • (322 - 511 L)
- Drainage Time:** +/- 180 seconds at ideal plumbing conditions (unoccupied)

**Included Features:**

1. Acrylic Tub Shell
  - Gloss white finish
  - Fiberglass gelcoat reinforced
2. Stainless steel frame with adjustable leveling Legs.
3. Plastic composite tempered glass U-shape outward swing door with a 3 latch gear and shaft door mechanism.
4. Two (2) 2 inch PVC drains with 2 end caps included. Each drain has two (2) 2 inch outlets, one overflow and a stainless steel operated opener with an extended handle in a chrome finish.
5. Two (2) front and one (1) end reversible removable access panel .
6. Two (2) 2pc Fast-Fill Faucets with retractable pull-out hand showers.

**Jetting & Therapy Options:**

1. Air + Hydro + Hydro/Foot Massage + Microbubble (Multicolor LED Light Included)
2. Air + Hydro + Hydro/Foot Massage (Multicolor LED Light Included)



## Jetting Options

## Faucet Option

**Hydro Massage**

- Hydro Massage Pump
- Hydro Massage Intensity Dial Control
- Ozone Sterilization
- 16 Upper Jets (hips and back) & 8 lower jets (feet and calves)
- On/Off Push Control
- In-line Water Heater

**Hydro Foot Massage**

- 1 Hydro Massage Pumps
- 1 Hydro Massage Intensity Dial Control
- Ozone Sterilization
- 8 lower jets (feet and calves)
- On/Off push control
- In-Line Water Heater

**Two-Piece Fast Fill Faucet (2)**

- Up 10 16 GPM @ 60 PSI an ideal in-home plumbing conditions
- Two 5' water supply lines with 3/4" connectors
- Pull out, hand held, chrome plated hand shower with a 5' ft. retractable stainless steel braided hose

**Air Massage**

- Air Massage Pump
- 3 Speed Pump
- Auto-purge (Activates 20 minutes after pump shutdown)
- 16 Upper Jets (hips and back) & 8 lower jets (feet and calves)
- On/Off push control

**Microbubble Therapy**

- Air Pressure Pump
- Pressure Tank
- On/Off push control



**Optional Features:**

Heated Seat and Backrest

**Electrical Requirements:**

Dedicated GFCI protected electrical line(s) required

**Disclaimer\*:** AMP value for each pump may change based on availability. Please verify before purchase. (800.480.6850)

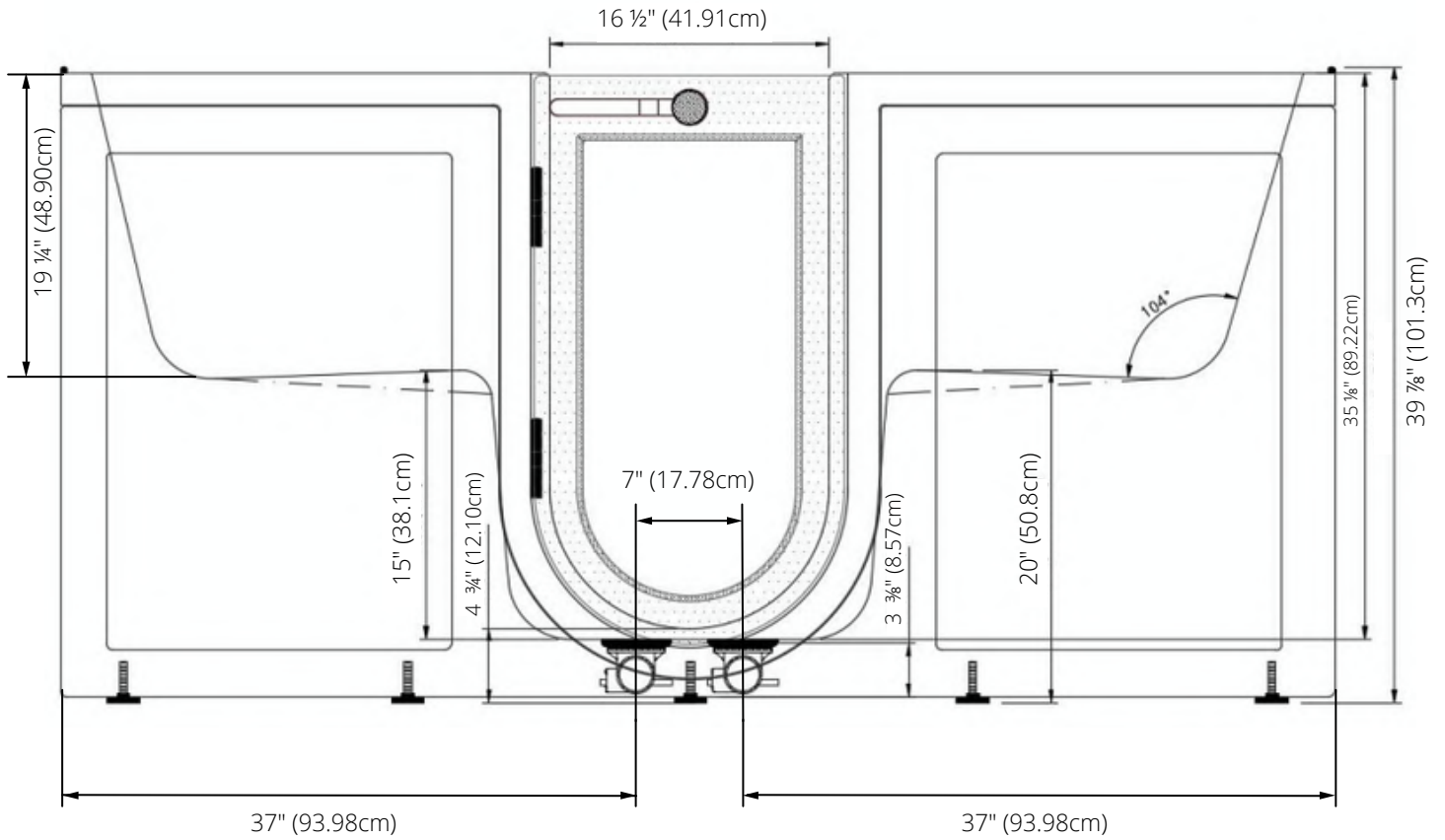
**Included Features:**

- Digital control pad
- Multicolor LED light

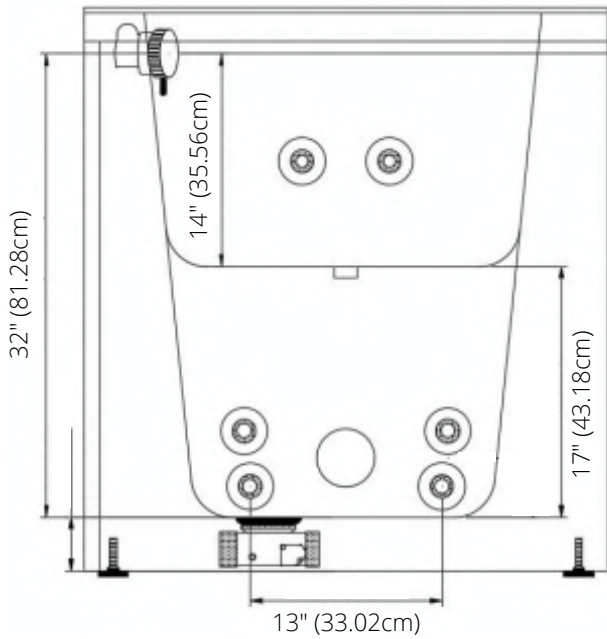


**Warranty**

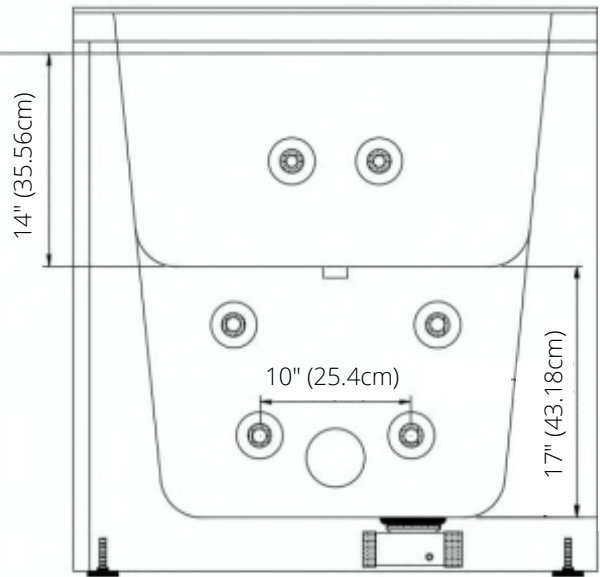
- Lifetime limited\* warranty on shell, frame, door, and parts to original purchaser/Address
- Labor or installation is not covered - please refer to the Ella warranty certificate
- Non Ella brand faucets covered under manufacturers original warranty



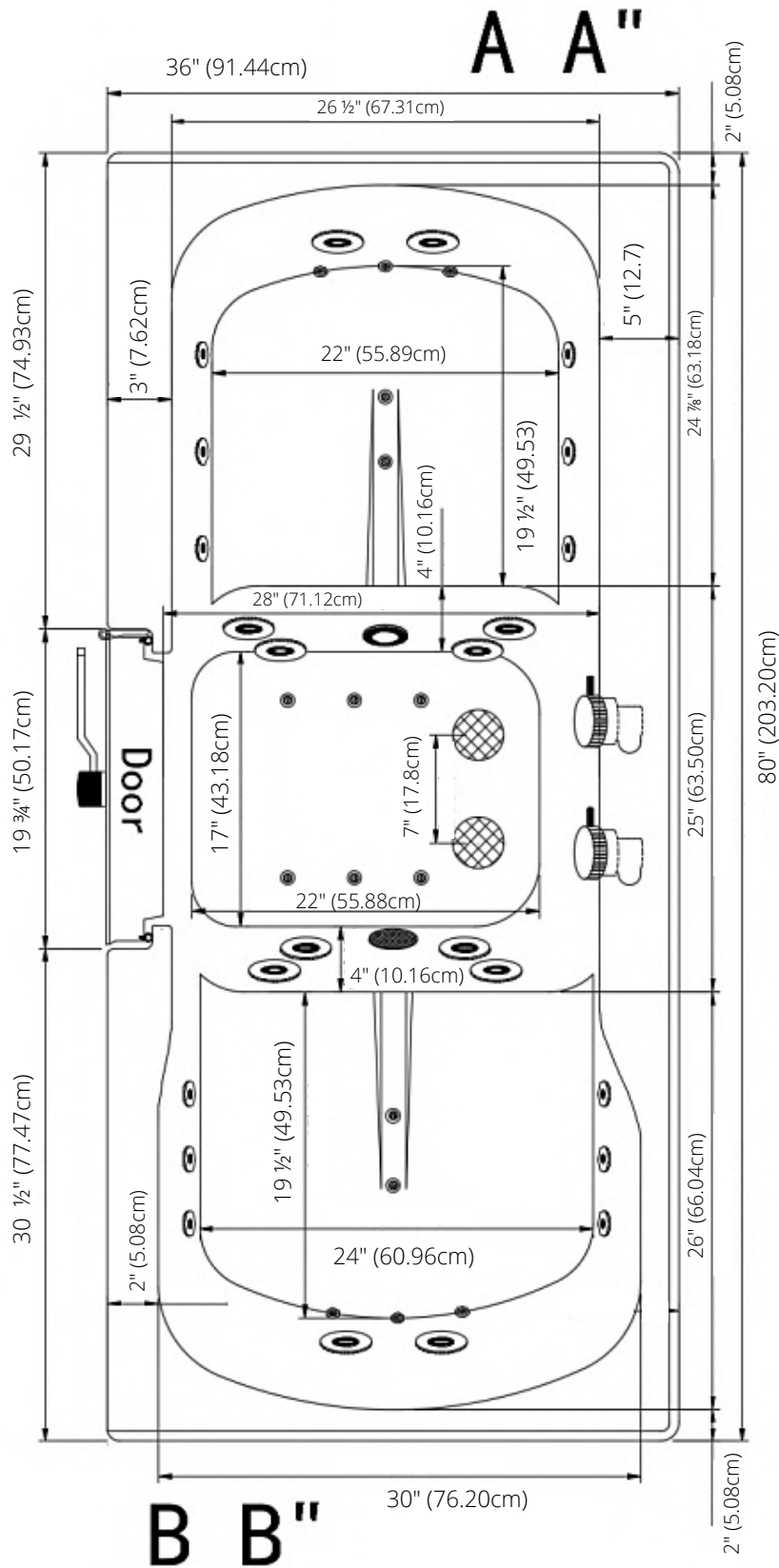
**A A''**



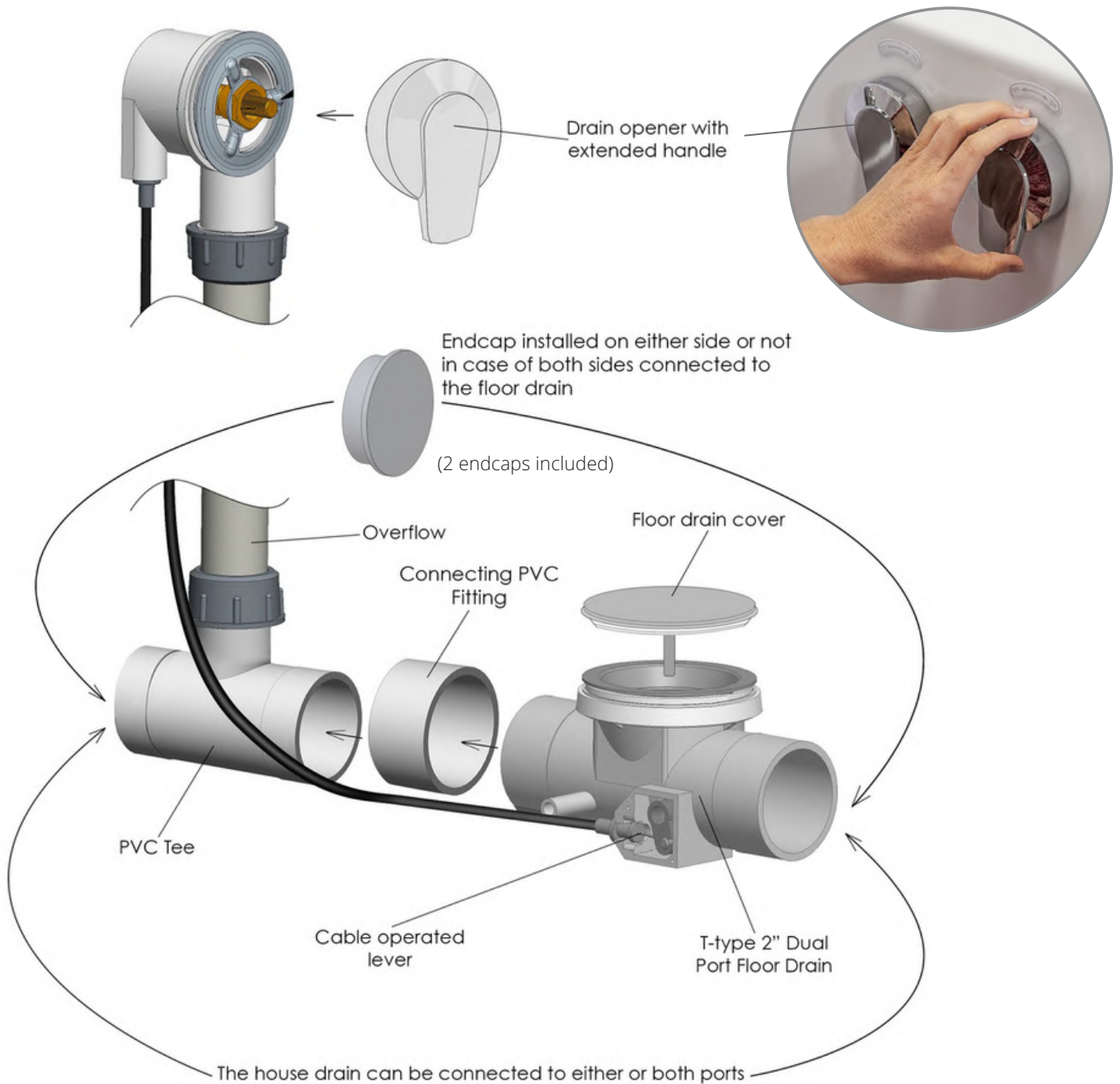
**B B''**



# Big4Two Acrylic Outward Swing Door Walk-In Bathtub Specifications



# Ella 2" T-Type Dual Port Floor Drain (2 Drains Included)



Two 3/4" connector water supply lines included with Ella Fast Fill Faucets



Connect to Shut  
Off Valves  
(not included)



All electrical fixtures  
connect to a dedicated  
GFCI protected outlet.



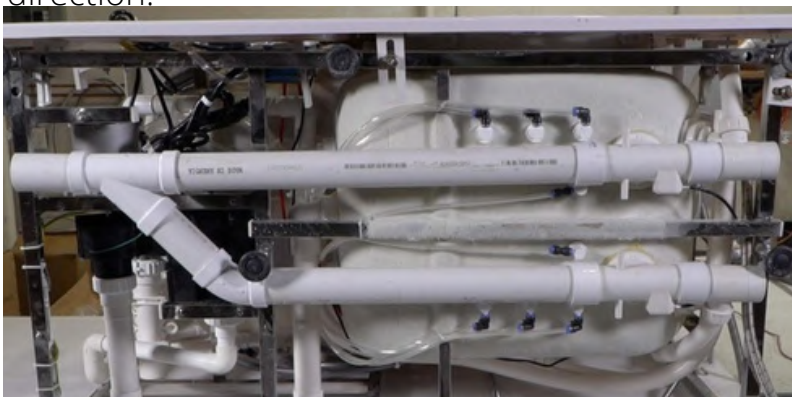
Drain Cap

Use a drain cap to close  
unused drain port.



T-Type four (4) 2" drain ports  
allow for the drain pipe to  
be installed in either  
direction.

Images below show examples of PVC pipe  
connections (not included). Reducers can  
be used to connect smaller drain pipes.





# Ella 2 Piece Single Lever Fast-Fill Faucet

## Description

Solid brass spout chrome finish single lever high flow bathtub faucet with diverter button Two (2) 3/4" 5' braided stainless-steel supply lines Pull out hand shower mixer with 5 water pressure settings and 5' braided hose in a Chrome finish.

## Flow

- Hand shower is limited to 1.9 GPM (7.5L/min)
- Faucet fill rate designed for 16 GPM (68.1L/min)

## Cartridge

- 40mm high flow cartridge design
- Nonmetallic/nonferrous and stainless-steel material

## Standards

- Third party certified to meet: CSA B125.1, ASMEA112.18.1, ICC117.1 and all applicable requirements referenced therein
- Certified to ANSI/NSF 61/9
- ADA for lever/handle
- IAPMO R&T UPC certified



**NOTE:** This faucet is designed to be installed through 2-1/2" diameter hole for faucet, 1/3" diameter hole for mounting rods, and a 7/8" diagonal hole for the hand shower.

